



230_{VAC}

BOB3024E

24_{VDC}

LINEAR WORM SCREWS

patented FACE gears
full metal mechanics
gear and female screw in bronze
personalised release key



up to 3.0 m



CONTROL UNITS:

BOB3024E — BRAINY24+
BRAINY24
HEADY24

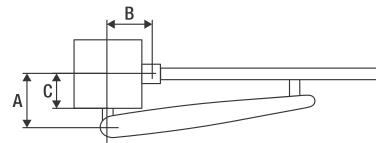
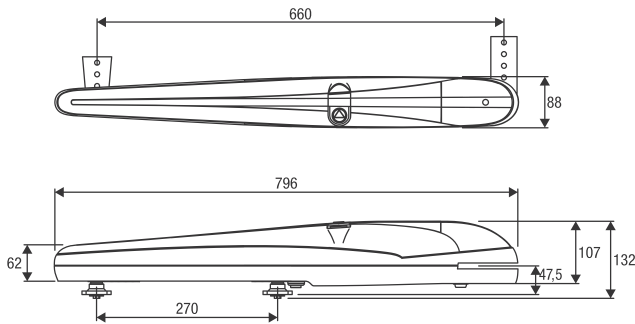
BENINCA

100%
Made in Italy



24 Vdc | intensive use

- Irreversible 24 Vdc electromechanical geared motor for intensive use, equipped with encoder
- The encoder device ensures maximum safety and precision in the gate moving phases
- Amperometric sensor obstacle detection system to prevent crushing
- Optional battery powered operation



A (mm)	B (mm)	C (mm)
105-135	115-135	50-80

TECHNICAL DATA

BOB3024E*

Power supply	230 Vac (50-60Hz)
Motor supply	24 Vdc
Max absorbed current	5.5 A
Max Thrust	1800 N
Opening time	9" - 21"
Duty cycle	intensive use
Standard stroke	270 mm
Max stroke	325 mm
Protection level	IP44
Encoder	YES
Operating temperature	-20°C / +50°C
Leaf max dimension	3 m
Weight	8 kg
Items no. per pallet	50
Kit weight	20.7 kg

**AUTOMATIC
GATE
SOLUTIONS**

www.automaticgatesolutions.com.au